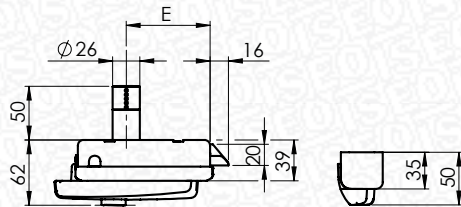
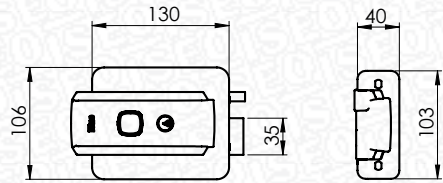


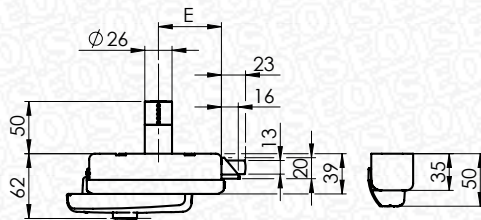
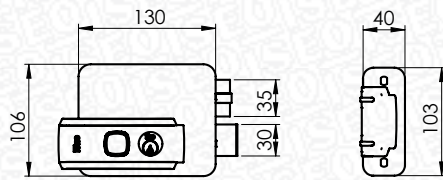
# 5 Series

## Electric rim lock



### 52N SERIES

Electric rim lock with  
**LATCHBOLT ONLY**



### 53N SERIES

Electric rim lock with  
**LATCHBOLT AND DEADBOLT**

## PRODUCT:

The **5 Series** electric rim lock is designed for universal use on all doors where remote controlled lock release with an electric pulse is required. The most common applications for this type of lock are on pedestrian gates delimiting the exterior grounds of homes and condominiums and on wooden main entrance doors of residential or public buildings.

## OPERATION:

### Electric locks with latchbolt only (51N/52N Series)

- The electric pulse releases the latchbolt, opening the door or gate.
- Opening from external side: the latchbolt is always retracted by the key.
- From internal side: the latchbolt may be retracted with the key (lock set to cylinder only function) or from the button (lock set to button cylinder or button only function).

### Electric locks with latchbolt and deadbolt (53N Series)

- When the deadbolt is retracted, the electric pulse releases the latchbolt only to open the door or gate. If the deadbolt is extended, the door/gate cannot be opened electrically.
- Opening from external side: the latchbolt and deadbolt are always retracted by the key.
- From internal side: the deadbolt is released by the key while the latchbolt may be retracted with the key (lock set to cylinder only function) or from the button (lock set to button cylinder or button only function).

## RANGE:

- 52N Series - electric rim locks with latchbolt only.
- 53N Series - electric rim locks with latchbolt and deadbolt.
- 51N Series - electric rim locks with latchbolt only for opening from external side.



## TECHNICAL FEATURES

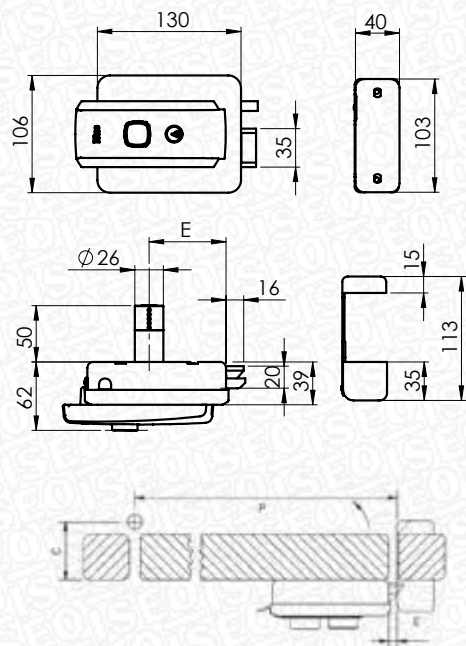
- 50, 60, 70 and 80 mm backsets
- Self-locking latchbolt.
- Charge piston with lighter spring action for lighter door frames.
- Lock and keep in ISEO marbled grey paint finish.
- The keep is also adjustable vertically by +/- 1.5 mm to align it correctly with the lock before definitive tightening of the fasteners.

53N Series 2 throw 10+10 mm deadbolt and 23 mm overall protrusion for greater security.

- 51N/52N Series Latchbolt only with hold-open function (locks set with button/cylinder).
- 26 mm diam. x 50 mm fixed external cylinder for installation on metal frames.
- Separate external cylinder for wooden frames.
- 3 keys included.
- Accessory lock mounting plate with protective cover and keep backing plate with dual holes for fastening keep in 2 different vertical positions as needed.
- Power supply: 12 V AC - 15 W - 1.25 A.

# 5 Series

## Electric rim lock



### CONDITIONS FOR INSTALLATION ON OUTWARD OPENING DOORS

- DIMENSION C: max. centre distance between hinge and inner door edge 80 mm
- DIMENSION P: min. door width 900 mm
- DIMENSION E: max. distance between lock and keep 9 mm

### 51N SERIES

Electric rim lock with

LATCHBOLT FOR OPENING FROM EXTERNAL SIDE

### HIGHLIGHTS:

- All locks have an adjustable backset measurement, settable to 50 or 80 mm. 51N/52N Series locks with latchbolt only are manufactured with a 70 mm backset, while the 53N Series lock with latchbolt and deadbolt is available with a 60 mm backset.
- All 51N/52N Series latchbolt only locks are reversible. All locks are right-handed as standard.
- All 53N Series latchbolt and deadbolt locks are right and left handed.
- All locks are multifunctional, meaning that the inside opening function may be easily set by the installer, using the key and/or button, if and as necessary.
- All settings are made directly on the lock, even just before definitive fastening on site.
- As a combined result of these features, it has been possible to replace 148 conventional lock product codes in the catalogue with just 12 new product codes:
  - 52N Series Latchbolt Only: 4 new product codes replacing 76 conventional locks + 1 Universal product code replacing 48 conventional locks.
  - 51N Series Latchbolt Only, External Opening: 2 new product codes replacing 24 former codes.
  - 53N Series Latchbolt and Deadbolt: 6 new product codes replacing 48 former codes.
- Attractive, elegant design with ergonomic pull handle grip and UV resistant polycarbonate cover with an appealing contrasting matte/gloss finish.
- All locks have some degree of vertical play relative to the respective keep to allow for significant vertical movement of the gate.
  - 52N Series, Latchbolt Only: +/- 7 mm vertical play (the largest of the entire range);
  - 51N Series Latchbolt Only, External Opening: +/- 5 mm vertical play;
  - 53N Series, Latchbolt and Deadbolt: +/- 2.5 mm vertical play.
- Version with Latchbolt Only in stainless steel for stainless steel gates or for use in corrosive environments.
- Lock and keep with easily interchangeable fasteners with all main products on market today.
- Keep with special anti-friction slide plate instead of roller wheel to reduce latching action force on frame.

# ISEO®

### MATCHING PRODUCTS

- Plates in galvanised steel or stainless steel for electric locks and keeps.
- Spare keeps.
- Spare pair of coils.
- Single or twin cylinders with the relative type of key.

### STANDARDS

Conformant with electromagnetic compatibility directive (EMC).

### TEXT FOR SPECIFICATIONS

Electric rim locks opened remotely with electric pulse.

Adjustable (50 or 80 mm) backset measurement, reversible (in case of 51N/52N Series Latchbolt only locks) and multifunctional - meaning that the lock can be set to operate from the interior side with both button and cylinder, with the cylinder only or with a button only, as needed.

From the outside, the key always opens the lock. Lock casing and keep in steel with ISEO marbled grey paint finish or, alternatively, in stainless steel (for use on stainless steel gates or in corrosive environments). 3 lock variants:

- 51N Series Latchbolt Only, External Opening;
- 52N Series, Latchbolt Only;
- 53N Series, Latchbolt and Deadbolt.

www.iseo.com